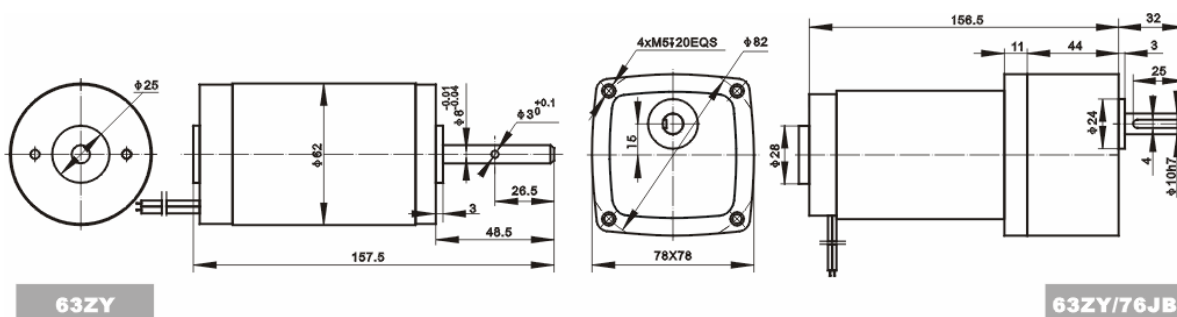


The PMDC motor has such features: high efficiency, low noise, and with the inside brush rocker constructional feature, high quality and anti-abrasive brush, long-using time. The motor is widely used in food processor, submersible pump and medical apparatus and instruments.



Type	Rated voltage V	No-load speed r/min	Rated current A	Rated torque mN.m	Rated speed r/min	Rated power W
63ZY24-40	24	2300	3,5	201	1900	40
63ZY24-40/76JB10	24	240	5	2010	190	40

63ZY/76JB ratio range: 1:5 - 1:180